



**Check Out Our
New Website!**

www.bwpindustries.com

Registered BWP Customers Have Access To:

- Current Pricing
- Real-Time Inventory
- Searchable Interchange
- 24/7/365 Online Ordering

Free registration is available
for BWP Customers

**Not a Registered User?
Not a problem!**

BWP Customers Can Call Customer Service
Toll-Free at 1-800-621-8836 to Register

Be sure to check out
the "Specials" tab on our
website frequently for current
Internet Only special offers.



In This Section:

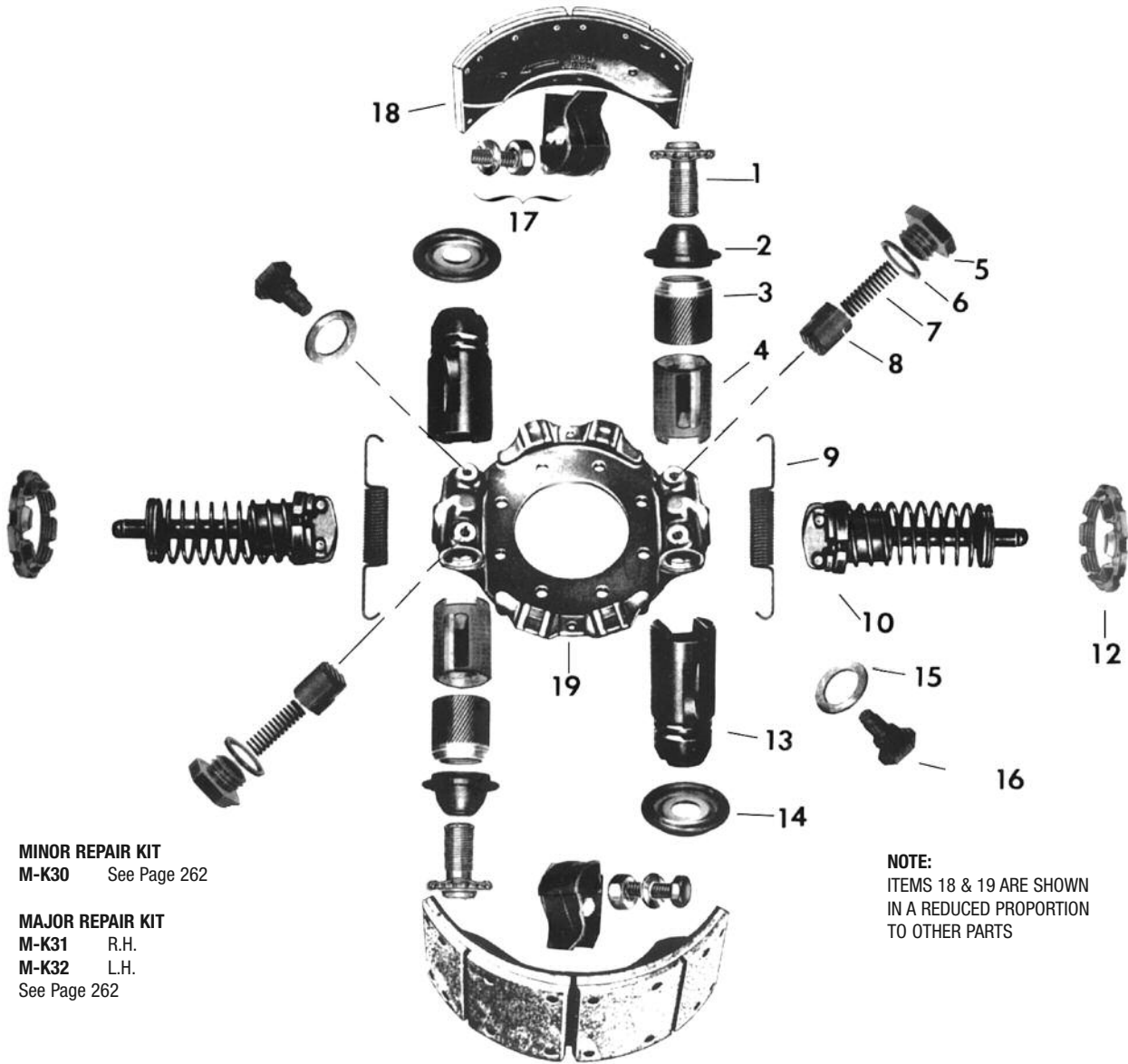
BENDIX WEDGE BRAKE

Adjusting Nut & Cap	268
Adjusting Piston & Boot	267
Adjusting Screws	267
Anchor Piston & Boot	267
Brake Shoes	269
Diagrams	265 – 266
Kits, Major & Minor Repair	270 – 271
Springs – Brake Shoe Return	269
Wedge Assemblies	267

MERITOR WEDGE BRAKE

Adjusting Actuators	256 – 257
Adjusting Bolts	256
Adjusting Pawls	259
Adjusting Plungers	258
Anchor Plungers	257 – 258
Brake Shoes	259
Diagrams	252 – 255
Kits, Major & Minor Repair	262 – 264
Lock Ring	256
Lubricant	261
Plunger Guides	258
Plunger Housing	260
Seals	257
Springs – Brake Shoe Return	260
Wedge Assemblies	256

"STOPMASTER" TRUCK-TRACTOR BRAKE



MINOR REPAIR KIT
M-K30 See Page 262

MAJOR REPAIR KIT
M-K31 R.H.
M-K32 L.H.
 See Page 262

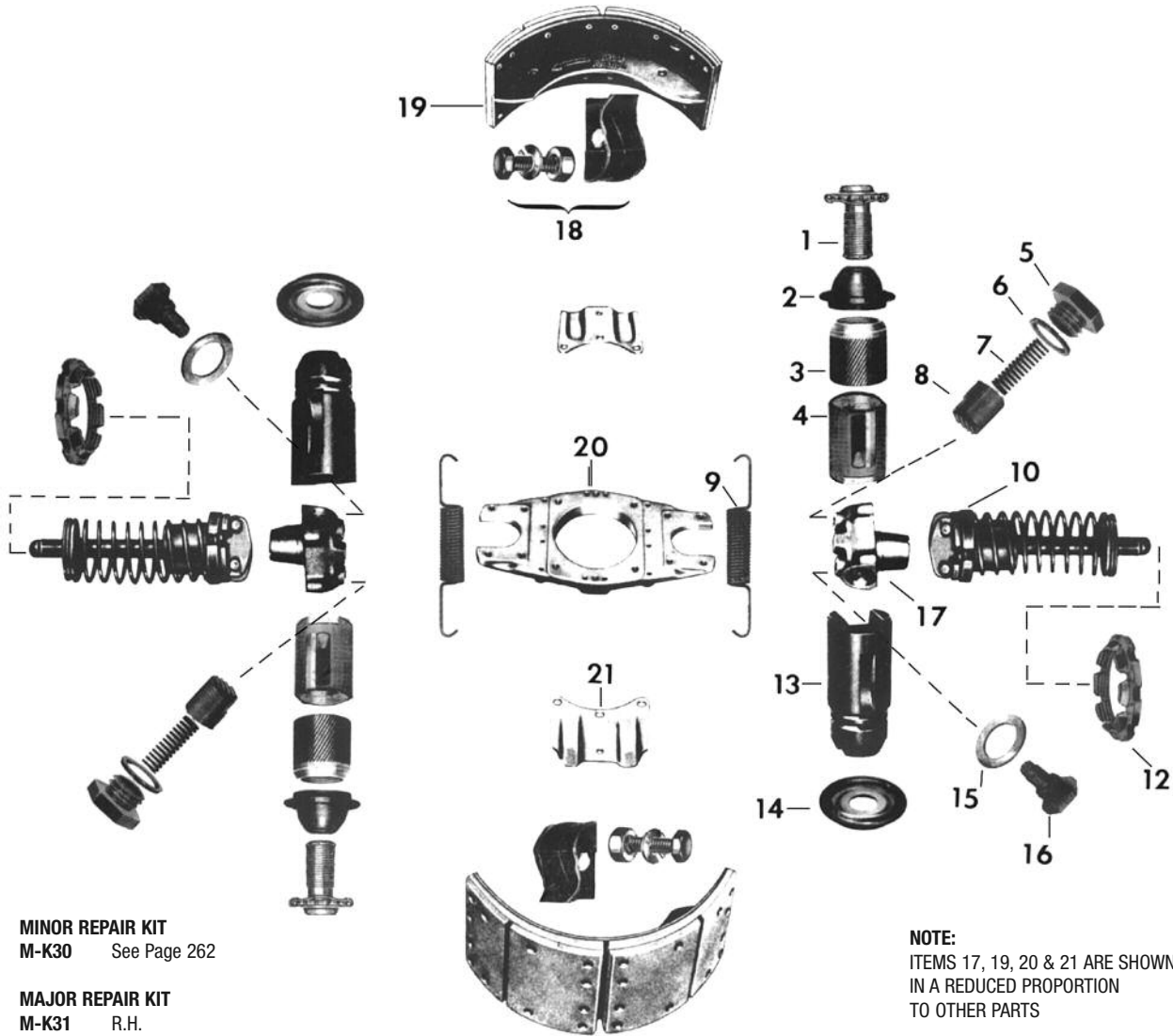
NOTE:
 ITEMS 18 & 19 ARE SHOWN
 IN A REDUCED PROPORTION
 TO OTHER PARTS

"Stopmaster" Truck & Tractor Wedge Brake – Bolted-On Spider 15" Dia. – 3/4" Lining

KEY NO.	BWP NO.	ROCKWELL NO.	DESCRIPTION
1	M-879	A-2297-L-3158	Adj. Bolt Assembly
2	M-881	A1-1705-K-219	Bellows Seal
3	M-888	2297-N-3212	Auto Adj. Acuator
4	M-859	2297-J-2376	12° Adj. Plunger
5	M-891	1779-H-320	Cap Screw
5	M-882	1199-F-3464	Cap Screw Stop II
6	M-876	1729-B-262	Gasket
7	M-889	2758-N-66	Guide Spring
7	M-883	2258-S-539	Guide Spring Stop II
8	M-890	1779-A-339	Adj. Pawl
8	M-884	1199-Z-3432	Adj. Pawl Stop II
9	M-1012	2258-K-583	Shoe Return Spring

KEY NO.	BWP NO.	ROCKWELL NO.	DESCRIPTION
10	M-860	A-2747-H-112	12° Wedge Assembly
12	M-892	1727-N-40	Spanner Nut
13	M-862	2797-B-418	12° R Anchor Plunger
13	M-863	2797-C-419	12° L Anchor Plunger
14	M-878	A-1705-K-219	Double Lip Seal
15	M-876	1729-B-262	Gasket
16	M-877	1779-M-195	Plunger Guide
17	M-850	1718-D-124	Shoe Hold Down Assy
18	M-807	A-3722-U-359	6" Brake Shoe
18	M-808	A-3722-V-360	7" Brake Shoe
19	BRAKE SPIDER FOR REFERENCE ONLY		

"STOPMASTER" TRAILER BRAKE



MINOR REPAIR KIT
M-K30 See Page 262

MAJOR REPAIR KIT
M-K31 R.H.
M-K32 L.H.
See Page 262

NOTE:
ITEMS 17, 19, 20 & 21 ARE SHOWN
IN A REDUCED PROPORTION
TO OTHER PARTS

WEDGE BRAKES

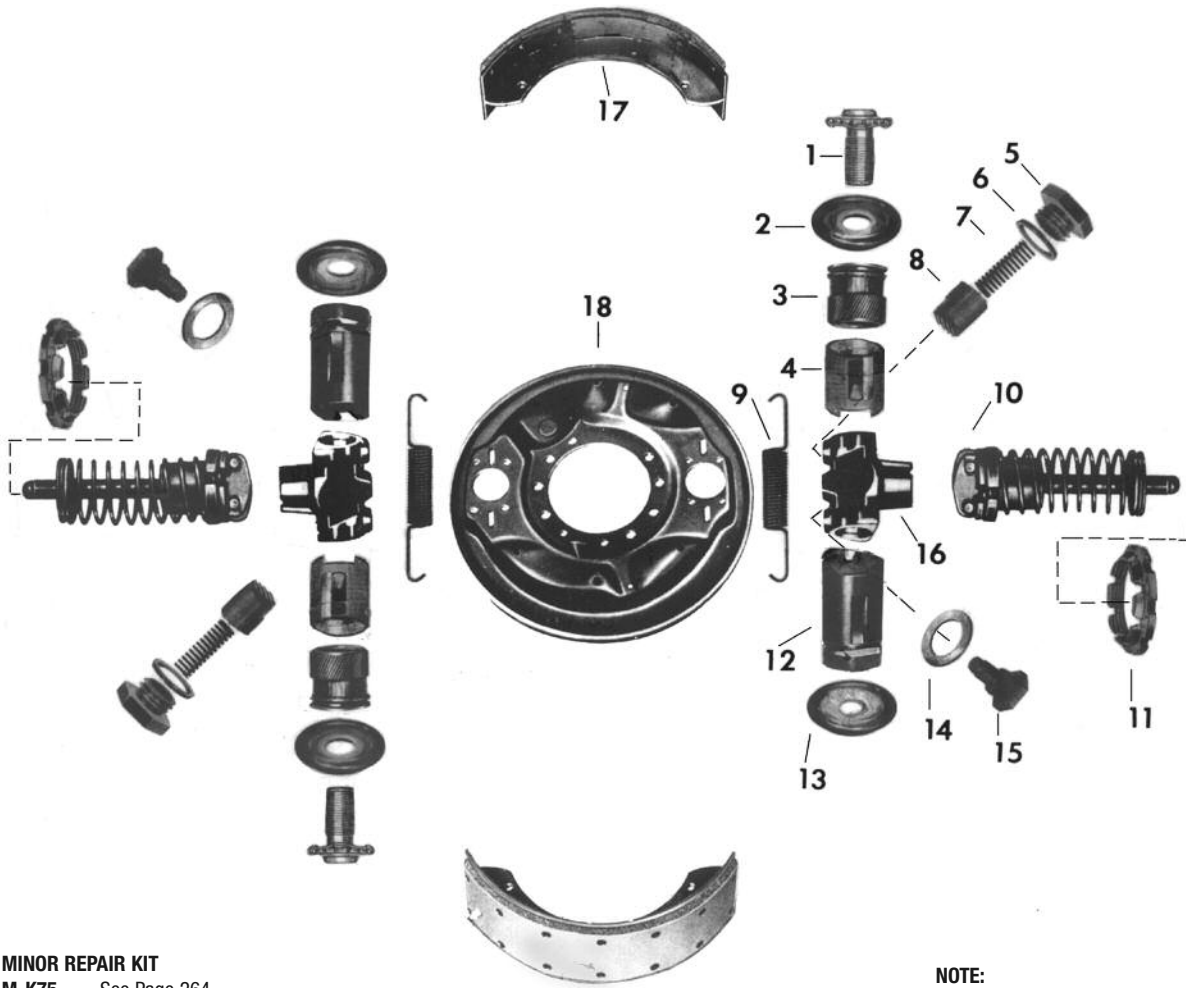
"Stopmaster" Trailer Wedge Brake – Welded-On Spider 15' Dia. – 3/4" Lining

KEY NO.	BWP NO.	ROCKWELL NO.	DESCRIPTION
1	M-879	A-2297-L-3158	Adj. Bolt Assembly
2	M-881	A1-1705-K-219	Bellows Seal
3	M-888	2297-N-3212	Auto Adj. Actuator
4	M-859	2297-J-2376	12° Adj. Plunger
5	M-891	1779-H-320	Cap Screw
5	M-882	1199-F-3464	Cap Screw Stop II
6	M-876	1729-B-262	Gasket
7	M-889	2758-N-66	Guide Spring
7	M-883	2258-S-539	Guide Spring Stop II
8	M-890	1779-A-339	Adj. Pawl
8	M-884	1199-Z-3432	Adj. Pawl Stop II
9	M-1012	2258-K-583	Shoe Return Spring
10	M-860	A-2747-H-112	12° Wedge Assembly

KEY NO.	BWP NO.	ROCKWELL NO.	DESCRIPTION
12	M-892	1727-N-40	Spanner Nut
13	M-862	2797-B-418	12° R Anchor Plunger
13	M-863	2797-C-419	12° L Anchor Plunger
14	M-878	A-1705-K-219	Double Lip Seal
15	M-876	1729-B-262	Gasket
16	M-877	1779-M-195	Plunger Guide
17	M-897	3299-C-4189	Plunger Housing Stop II
18	M-850	1718-D-124	Shoe Hold Down Assy
19	M-807	A-3722-U-359	6" Brake Shoe
19	M-808	A-3722-V-360	7" Brake Shoe
20	BRAKE SPIDER FOR REFERENCE ONLY		
21	SHOE SUPPORT BRACKET FOR REFERENCE ONLY		

"STOPMASTER" TRUCK-TRACTOR BRAKE

WEDGE BRAKES



MINOR REPAIR KIT
M-K75 See Page 264

MAJOR REPAIR KIT
M-K73 R.H.
M-K74 L.H.
 Discontinued – See Page 264

NOTE:
 ITEMS 16, 17 & 18 ARE SHOWN
 IN A REDUCED PROPORTION
 TO OTHER PARTS

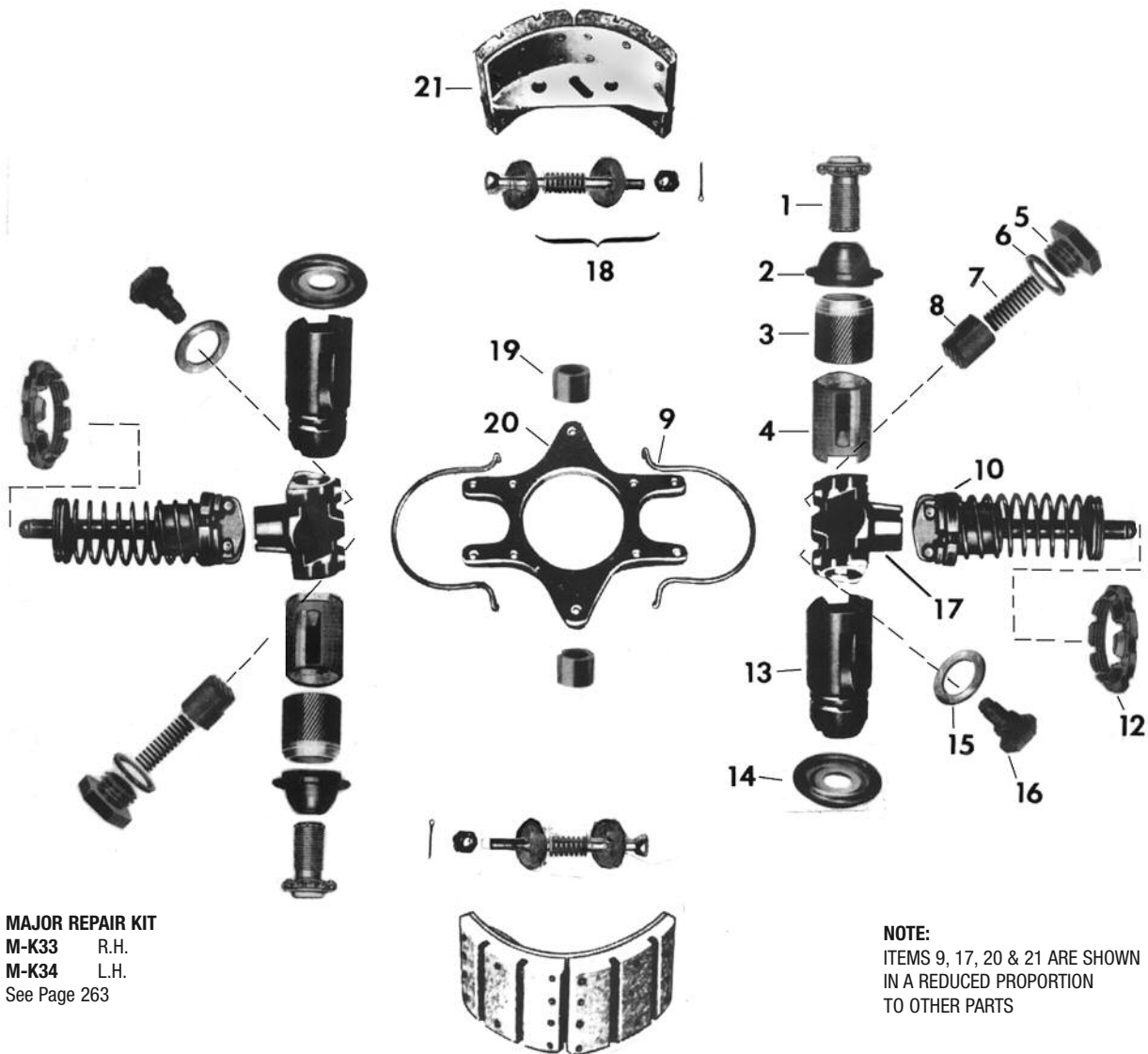
"Stopmaster" Truck & Tractor Wedge Brake Backing Plate Mounted Double Actuation – 15' Dia. – 5/16" & 3/8" Lining

KEY NO.	BWP NO.	ROCKWELL NO.	DESCRIPTION
1	M-1073	A-2797-B-288	Adj. Bolt Assembly
2	M-1075*	A-1705-M-221	Double Lip Seal
3	M-1074	1779-Y-701	Auto Adj. Actuator
4	M-1076	2797-C-133	12° Adj. Plunger
5	M-891	1779-H-320	Cap Screw
6	M-876	1729-B-262	Gasket
7	M-889	2758-N-66	Guide Spring
8	M-890	1779-A-339	Adj. Pawl
9	M-1011	2758-Q43	Shoe Return Spring
10	M-1072*	A-2747-X-24	12° Wedge Assembly

KEY NO.	BWP NO.	ROCKWELL NO.	DESCRIPTION
11	M-892	1727-N-40	Spanner Nut
12	M-1077	2797-M-143	12° R Anchor Plunger
12	M-1078*	2797-L-142	12° L Anchor Plunger
13	M-1075*	A-1705-M-221	Double Lip Seal
14	M-876	1729-B-262	Gasket
15	M-1080	1779-T-592	Plunger Guide
16			PLUNGER HOUSING FOR REFERENCE ONLY
17	M-2700	A-3722-D-680	3" Brake Shoe
17	M-2657	A-3722-E-681	3-1/2" Brake Shoe
18			BACKING PLATE FOR REFERENCE ONLY

* DISCONTINUED, NO LONGER AVAILABLE

"STOPMASTER" TRAILER BRAKE



MAJOR REPAIR KIT
M-K33 R.H.
M-K34 L.H.
 See Page 263

NOTE:
 ITEMS 9, 17, 20 & 21 ARE SHOWN
 IN A REDUCED PROPORTION
 TO OTHER PARTS

WEDGE BRAKES

"Stopmaster" 12-1/4" Dia. Trailer Wedge Brake – Spider Mounted

KEY NO.	BWP NO.	ROCKWELL NO.	DESCRIPTION
1	M-848	A-2297-V-2466	Adj. Bolt Assembly
2	M-881	A1-1705-K-219	Bellows Seal
3	M-888	2297-N-3212	Auto Adj. Actuator
4	M-859	2297-J-2376	12° Adj. Plunger
5	M-891	1779-H-320	Cap Screw
5	M-882	1199-F-3464	Cap Screw Stop II
6	M-876	1729-B-262	Gasket
7	M-889	2758-N-66	Guide Spring
7	M-883	2258-S-539	Guide Spring Stop II
8	M-890	1779-A-339	Adj. Pawl
8	M-884	1199-Z-3432	Adj. Pawl Stop II
9	M-1019	2258-W-465	Shoe Return Spring

KEY NO.	BWP NO.	ROCKWELL NO.	DESCRIPTION
10	M-860	A-2747-H-112	12° Wedge Assembly
12	M-892	1727-N-40	Spanner Nut
13	M-862	2797-B-418	12° R Anchor Plunger
13	M-863	2797-C-419	12° L Anchor Plunger
14	M-878	A-1705-K-219	Double Lip Seal
15	M-876	1729-B-262	Gasket
16	M-877	1779-M-195	Plunger Guide
17	M-897	3299-C-4189	Plunger Housing Stop II
18	M-867	See Page 261	Shoe Hold Down Assy
19	M-855	1199-P-2538	Spacer Sleeve
20	BRAKE SPIDER FOR REFERENCE ONLY		
21	M-2654*	A-3222-D-784	Brake Shoe

* DISCONTINUED, NO LONGER AVAILABLE

WEDGE BRAKE PARTS – MERITOR STOPMASTER

Wedge Assemblies – Drive and Trailer Axles



BWP NO.	WEDGE ANGLE	REPLACES MERITOR	APPLICATION
M-854	10°	A-2747-G-111	1-3/4" STROKE. WEDGE ANGLE STAMPED ON END OF WEDGE STEM. 12° MOST POPULAR.
M-860	12°	A-2747-H-112	
M-866	14°	A-2747-J-114	
M-872	16°	A-2747-K-115	

Adjusting Bolt – Drive and Trailer Axles



BWP NO.	REPLACES MERITOR	APPLICATION
M-879	A-2297-L-3158	USE WITH M-881 SEAL AND M-888 ACTUATOR. FOR 15" DIA. BRAKES.

Adjusting Bolt – Trailer Axles



BWP NO.	REPLACES MERITOR	APPLICATION
M-848	A-2297-V-2466	USE WITH M-881 SEAL AND M-888 ACTUATOR. FOR 12-1/4" DIA. BRAKES.

Adjusting Bolts – Front Axles



BWP NO.	REPLACES MERITOR	APPLICATION
M-1073	A-2797-B-288	EARLY FRONT AXLES. USE WITH M-1074 ACTUATOR. 1-1/2" OVERALL LENGTH.
M-2584	A-2297-V-2882	LATE FRONT AXLES. USE WITH M-2585 ACTUATOR. 1-5/8" OVERALL LENGTH.

Lock Ring for Old Style Adjusting Bolt



BWP NO.	REPLACES MERITOR	APPLICATION
M-880	1779-Z-650	USE WITH OLD STYLE ADJUSTING BOLTS WITH LOCK RING GROOVE AT BOTTOM.

Adjusting Actuator – 12-1/4" and 15" Brakes



BWP NO.	REPLACES MERITOR	APPLICATION
M-888	2297-N-3212	USE WITH M-879 OR M-848 BOLTS AND M-881 SEAL FOR SPIDER MOUNTED BRAKES. OVERALL HEIGHT IS 1-1/4"

Adjusting Actuator – Late Front Brakes



BWP NO.	REPLACES MERITOR	APPLICATION
M-2585	2297-N-2874	USE WITH M-2584 BOLT FOR LATE FRONT AXLES WITH RSA BRAKES. OVERALL HEIGHT IS 1".

Adjusting Actuator – Early Front Brakes



BWP NO.	REPLACES MERITOR	APPLICATION
M-1074	1779-Y-701	USE WITH M-1073 BOLT FOR EARLY FRONT BRAKES. OVERALL HEIGHT IS 1-1/16"

Bellows Seal – Adjusting Bolt End



BWP NO.	REPLACES MERITOR	APPLICATION
M-881	A1-1705-K-219	FOR STOPMASTER II ADJUSTING BOLTS. USE WITH M-888 ACTUATOR.

Double Lip Seal – Anchor End



BWP NO.	REPLACES MERITOR	APPLICATION
M-878	A-1705-K-219	FOR ANCHOR PLUNGERS ON 12-1/4" AND 15" SPIDER MOUNTED BRAKES.

Single Lip Seals – Early Style



BWP NO.	REPLACES MERITOR	APPLICATION
M-894	A-1705-P-120	EARLY SEAL FOR TRAILER AND DRIVE AXLES
M-1083	A2-1705-M-221	FRONT AXLE SEAL FOR ANCHOR END

Anchor Plungers – Drive and Trailer Axles



BWP NO.	ANGLE	SIDE	REPLACES MERITOR	APPLICATION
M-856	10°	RH	2797-X-414	WEDGE ANGLE AND R OR L STAMPED ON PART 12° MOST POPULAR
M-857		LH	2797-Y-415	
M-862	12°	RH	2797-B-418	
M-863		LH	2797-C-419	
M-868	14°	RH	2797-F-422	
M-869		LH	2797-G-423	

WEDGE BRAKE PARTS – MERITOR STOPMASTER

Anchor Plungers – Front Axles



BWP NO.	ANGLE	SIDE	REPLACES MERITOR	APPLICATION
M-1077	12°	RH	2797-M-143	WEDGE ANGLE AND R OR L STAMPED ON PART

Automatic Adjusting Plungers – Drive and Trailer Axles



BWP NO.	ANGLE	REPLACES MERITOR	APPLICATION
M-853	10°	2297-G-2373	WEDGE ANGLE AND R OR L STAMPED ON PART 12° MOST POPULAR
M-859	12°	2297-J-2376	
M-865	14°	2297-L-2378	
M-871	16°	2297-M-2379	

Automatic Adjusting Plunger – Front Axles



BWP NO.	ANGLE	REPLACES MERITOR	APPLICATION
M-1076	12°	2797-C-133	FRONT AXLE BRAKES

WEDGE BRAKES

Manual Adjusting Plunger – Drive and Trailer Axles



BWP NO.	ANGLE	REPLACES MERITOR	APPLICATION
M-858	12°	2797-R-408	DRIVER AND TRAILER BRAKES

Plunger Guides



BWP NO.	REPLACES MERITOR	APPLICATION
M-877	1779-M-195	DRIVE AND TRAILER AXLES



M-1080	1779-T-592	FRONT AXLES
---------------	------------	-------------

WEDGE BRAKE PARTS – MERITOR STOPMASTER

Adjusting Pawl Assembly Parts



BWP NO.	REPLACES MERITOR	APPLICATION
M-882	1199-F-3464 GUIDE SPRING SCREW	FOR STOPMASTER II , HAS NOTCHES ON HEX. PAWL ASSEMBLY IS M-882, M-876, M-883, M-864



M-891	1779-H-320 GUIDE SPRING SCREW	FOR STOPMASTER, NOT NOTCHED. PAWL ASSEMBLY IS M-891, M-876, M-889, M-890
--------------	-------------------------------------	---



M-876	1729-B-262 GASKET SEAL	USED FOR ALL MERITOR WEDGE BRAKES.
--------------	---------------------------	------------------------------------



M-883	2258-S-539 GUIDE SPRING	FOR STOPMASTER II DRIVE AND TRAILER AXLES
--------------	----------------------------	---



M-889	2758-N-66 GUIDE SPRING	FOR STOPMASTER DRIVE AND TRAILER AXLES
--------------	---------------------------	--



M-2690	2258-K-531 GUIDE SPRING	FOR STOPMASTER II FRONT AXLES
---------------	----------------------------	-------------------------------



M-1081	2758-J-88 GUIDE SPRING	FOR STOPMASTER FRONT AXLES
---------------	---------------------------	----------------------------



M-884	1199-Z-3432 ADJUSTING PAWL	FOR STOPMASTER II. USE M-883 FOR DRIVE AND TRAILER AXLES. USE M-2690 FOR FRONT AXLES.
--------------	-------------------------------	---



M-890	1779-A-339 ADJUSTING PAWL	FOR STOPMASTER. USE M-889 FOR DRIVE AND TRAILER AXLES. USE M-1081 FOR FRONT AXLES.
--------------	------------------------------	--

Wedge Brake Shoes – Unlined



BWP NO.	REPLACES MERITOR	SHOE SIZE	FMSI LINING	RIVET
M-807	A-3722-U-359	15" X 6"	4605	10-9
M-808	A-3722-Y-360	15" X 7"	4602	10-9

WEDGE BRAKE PARTS — MERITOR STOPMASTER

Wedge Brake Shoe Return Springs



BWP NO.	REPLACES MERITOR	LENGTH	O.D.	APPLICATION
M-1011	2758-Q-43	6-5/16"	9/16"	FRONT AXLES



M-1012	2258-E-629 2258-K-583 2758-C-55	8"	7/8"	DRIVE AND TRAILER AXLES
---------------	---------------------------------------	----	------	-------------------------



M-1013	2758-Y-77	8-11/16"	15/16"	FOR BRAKE OFFSET OF 29/32" OR LESS
---------------	-----------	----------	--------	------------------------------------



M-2735	2758-W-127	8-3/4"	1"	FRONT AXLE WITH CAST SPIDER
---------------	------------	--------	----	-----------------------------



M-1019	2258-W-465	— —	5/16"	12-1/4" TRAILER BRAKES
---------------	------------	-----	-------	------------------------

WEDGE BRAKES

Plunger Housing for Trailer Axles



BWP NO.	REPLACES MERITOR	APPLICATION
M-897	3299-C-4189	PLUNGER HOUSING FOR TRAILER AXLES. HAS POSITIVE ALIGNMENT KEYWAY.



Check Out Our New Website!

www.bwpindustries.com

Be sure to check out the "Specials" tab on our website frequently for current Internet Only special offers.



Registered BWP Customers Have Access To:

- Current Pricing
- Real-Time Inventory
- Searchable Interchange
- 24/7/365 Online Ordering

Free registration is available for BWP Customers

**Not a Registered User?
Not a problem!**

BWP Customers Can Call Customer Service Toll-Free at 1-800-621-8836 to Register

WEDGE BRAKE PARTS – MERITOR STOPMASTER

Wedge Brake Parts



BWP NO	REPLACES MERITOR	APPLICATION
M-850	SHOE HOLD DOWN KIT 9020 CONTAINS: 1718-D-134 5-146, WA-14, N-14	15" SPIDER MOUNTED BRAKE FOR ONE SHOE
M-1082	SHOE HOLD DOWN KIT 1127 CONTAINS: 1807-A 1779-Q-147, 1829-P-198, 2858-T-46	15" BACKING PLATED MOUNTED BRAKE FOR ONE SHOE
M-867	SHOE HOLD DOWN KIT 1128 CONTAINS: K-226, N-54 1199-U-2309, 1229-M-1573 2758-K-89	12-1/4" SPIDER MOUNTED BRAKE FOR ONE SHOE
M-849	WEAR BUTTON 1199-N-2302	12-1/4" BRAKE EARLY STYLE SPIDER
M-855	SPACER 1199-P-2538	SHOE HOLD DOWN SPACER FOR 12-1/4" BRAKE NEW STYLE SPIDER
M-895	WEDGE GUIDE 1779-Q-433	WEDGE GUIDE FOR STOPMASTER CHAMBERS
M-896	BOOT SEAL KIT KIT MPS-2003	PUSH ROD BOOT SEAL KIT FOR STOPMASTER II
M-892	COLLET SPANNER NUT 1727-N-40	NON PRESSURE HOUSINGS
M-899	WEDGE LUBRICANT A-1779-W-283	14.5 OZ. CARTRIDGE CONTAINS ENOUGH LUBRICANT FOR ONE AXLE

WEDGE BRAKES

WEDGE BRAKE PARTS — MERITOR STOPMASTER

Major Repair Kit for 15" Dia. Spider Mounted Trailer and Drive Brakes



12° FOR RIGHT HAND SPIDER MOUNT

BWP KIT M-K31

CONSISTS OF:

2	M-860	12° Wedge Assembly	
2	M-879	Adjusting Bolt Assembly	
2	M-881	Bellows Seal	
2	M-888	Automatic Adj. Actuator	
2	M-859	12° Adj. Plunger	
2	M-878	Double Lip Seal	
2	M-862	12° R/H Anchor Plunger	
2	M-877	Plunger Guide	
2	M-882	Cap Screw	} New Style Adj. Pawl Assembly
2	M-883	Guide Spring	
2	M-884	Adj. Plunger Pawl	} Old Style Adj. Pawl Assembly
4	M-876	Gasket	
2	M-891	Cap Screw	
2	M-889	Guide Spring	
2	M-890	Adj. Plunger Pawl	
2	M-850	Shoe Clip Assembly	
2	M-1012	Shoe Return Spring	
1	M-899	Wedge Brake Lubricant	

MATERIAL FOR ONE WHEEL
USE WITH M-807, M-808 SHOES

12° FOR LEFT HAND SPIDER MOUNT

BWP KIT M-K32

CONSISTS OF:

All parts as in M-K31 except

2	M-863	12° L/H Anchor Plunger in place of (2) M-862
---	--------------	---

MATERIAL FOR ONE WHEEL
USE WITH M-807, M-808 SHOES

WEDGE BRAKES

Minor Repair Kit for 15" Dia. Spider Mounted Trailer and Drive Brakes



BWP KIT M-K30

CONSISTS OF:

2	M-879	Adjusting Bolt Assembly	
2	M-881	Bellows Seal	
2	M-888	Adjusting Actuator	
2	M-878	Double Lip Seal	
2	M-882	Cap Screw	} New Style Adj. Pawl Assembly
2	M-883	Guide Spring	
2	M-884	Adj. Plunger Pawl	} Old Style Adj. Pawl Assembly
4	M-876	Gasket	
2	M-891	Cap Screw	
2	M-889	Guide Spring	
2	M-890	Adj. Plunger Pawl	
2	M-1012	Shoe Return Spring	
1	M-899	Wedge Brake Lubricant	

MATERIAL FOR ONE WHEEL
USE WITH M-807, M-808 SHOES

Major Repair Kit for 12-1/4" Dia. Spider Mounted Trailer Brakes



12° FOR RIGHT HAND SPIDER MOUNT

BWP KIT M-K33

CONSISTS OF:

2	M-860	12° Wedge Assembly	
2	M-848	Adjusting Bolt Assembly	
2	M-881	Bellows Seal	
2	M-888	Automatic Adj. Actuator	
2	M-859	12° Adj. Plunger	
2	M-878	Double Lip Seal	
2	M-862	12° R/H Anchor Plunger	
2	M-877	Plunger Guide	
2	M-882	Cap Screw	} New Style Adj. Pawl Assembly
2	M-883	Guide Spring	
2	M-884	Adj. Plunger Pawl	} Old Style Adj. Pawl Assembly
4	M-876	Gasket	
2	M-891	Cap Screw	} Old Style Adj. Pawl Assembly
2	M-889	Guide Spring	
2	M-890	Adj. Plunger Pawl	
4	M-849	Wear Button	
2	M-855	Spacer Sleeve	
2	M-867	Shoe Hold Down Assembly	
2	M-1019	Shoe Return Spring	
1	M-899	Wedge Brake Lubricant	

MATERIAL FOR ONE WHEEL

12° FOR LEFT HAND SPIDER MOUNT

BWP KIT M-K34

CONSISTS OF:

All parts as in M-K33 except	
2	M-863 12° L/H Anchor Plunger in place of (2) M-862

MATERIAL FOR ONE WHEEL

Minor Repair Kit Front Brakes – 15" Backing Plate Mounted Front Axle



BWP KIT M-K76

CONSISTS OF:

2	M-2584	Adjusting Bolt
2	M-2585	Actuator
2	M-1075	Seal
1	M-1011	Shoe Return Spring
2	M-1082	Shoe Hold Down Assembly
2	M-882	Cap Screw
2	M-883	Spring
2	M-884	Pawl
2	M-876	Gasket
2	M-1523	Lock Ring
1	M-899	Wedge Brake Lubricant

MATERIAL FOR ONE WHEEL

WEDGE BRAKE PARTS — MERITOR STOPMASTER

Major Repair Kit for 15" Dia. Backing Plate Mounted Front Axle



12° FOR RIGHT HAND FRONT BRAKE
DUAL ACTUATED

BWP KIT M-K73 DISCONTINUED

CONSISTS OF:

- 2 M-1072 12° Wedge Assembly – NLA*
- 2 M-2584 Adjusting Bolt
- 2 M-1074 Actuator
- 2 M-1075 Seal Adj. Plunger – NLA*
- 2 M-1076 Auto Adj. Plunger
- 2 M-1077 12° RH Anchor Plunger
- 2 M-1083 Seal Anchor Plunger
- 2 M-1080 Plunger Guide
- 2 M-1011 Return Spring
- 2 M-1013 Return Spring
- 2 M-2735 Return Spring
- 2 M-1082 Shoe Hold Down
- 2 M-891 Cap Screw
- 4 M-876 Gasket
- 2 M-1081 Guide Spring Pawl
- 2 M-890 Cap Screw
- 2 M-882 Cap Screw
- 2 M-2690 Guide Spring
- 2 M-884 Pawl
- 1 M-899 Lubricant

MATERIAL FOR ONE WHEEL

12° FOR LEFT HAND FRONT BRAKE DUAL ACTUATED

BWP KIT M-K74 DISCONTINUED**

CONSISTS OF:

All parts as in M-K73 except

- 2 M-1078 LH Anchor Plunger in place of (2) M-1077

* NLA = NO LONGER AVAILABLE

** SOME INDIVIDUAL PARTS MAY STILL BE AVAILABLE

WEDGE BRAKES

Minor Repair Kit for 15" Dia. Backing Plate Mounted Front Axle



FOR DUAL ACTUATED FRONT BRAKE

BWP KIT M-K75

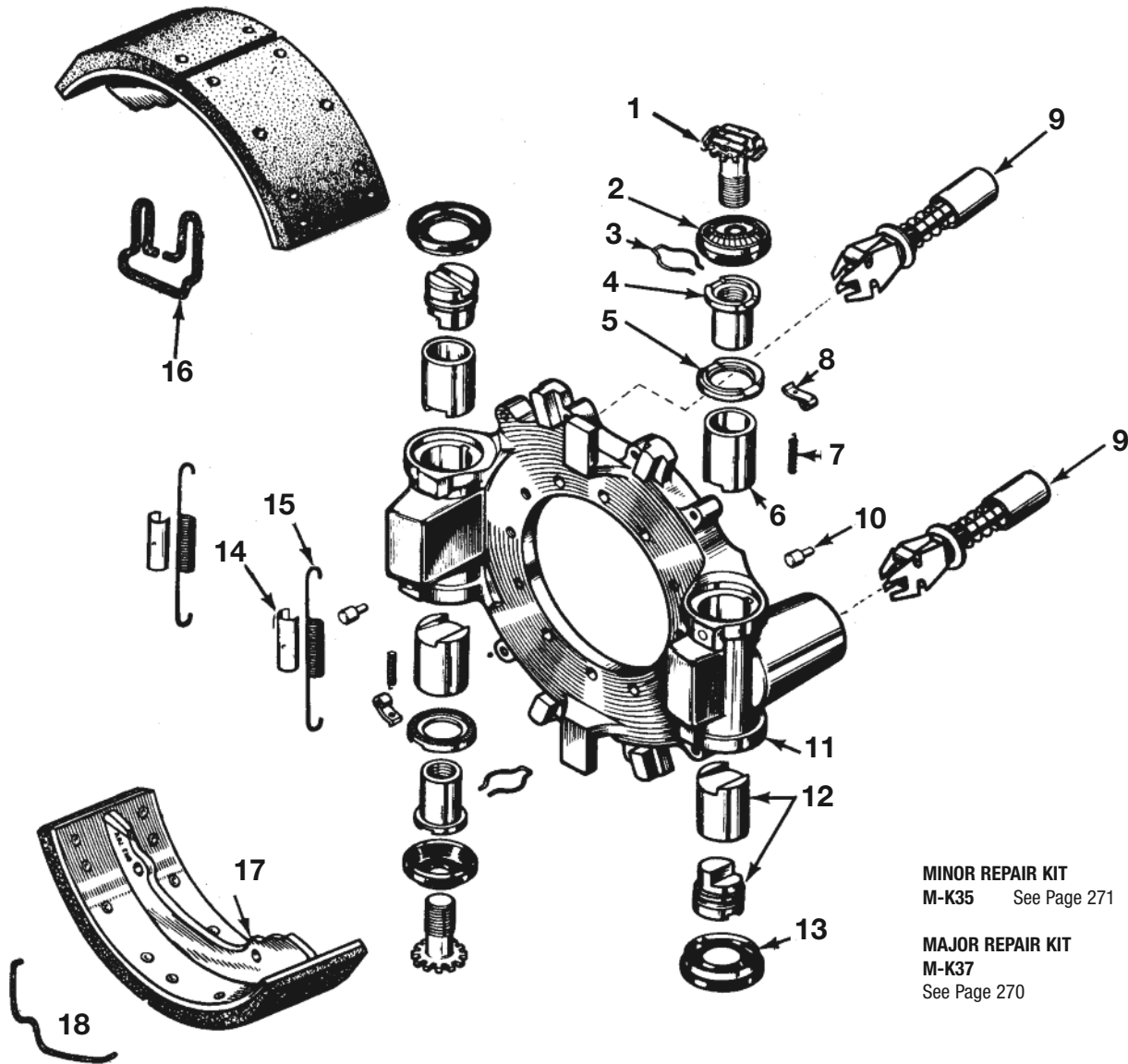
CONSISTS OF:

- 2 M-2584 Adjusting Bolt
- 2 M-1074 Actuator
- 2 M-1075 Seal Adj. Plunger – NLA*
- 2 M-1083 Seal Anchor Plunger
- 2 M-1011 Return Spring
- 2 M-891 Cap Screw
- 4 M-876 Gasket
- 2 M-889 Guide Spring
- 2 M-890 Pawl
- 2 M-882 Cap Screw
- 2 M-2690 Guide Spring
- 2 M-884 Pawl
- 1 M-899 Lubricant

MATERIAL FOR ONE WHEEL

* NLA = NO LONGER AVAILABLE

BENDIX TRACTOR-TRAILER WEDGE BRAKE



MINOR REPAIR KIT
M-K35 See Page 271

MAJOR REPAIR KIT
M-K37
See Page 270

WEDGE BRAKES

Bendix Twinplex Tractor-Trailer, Spider Mounted Brake

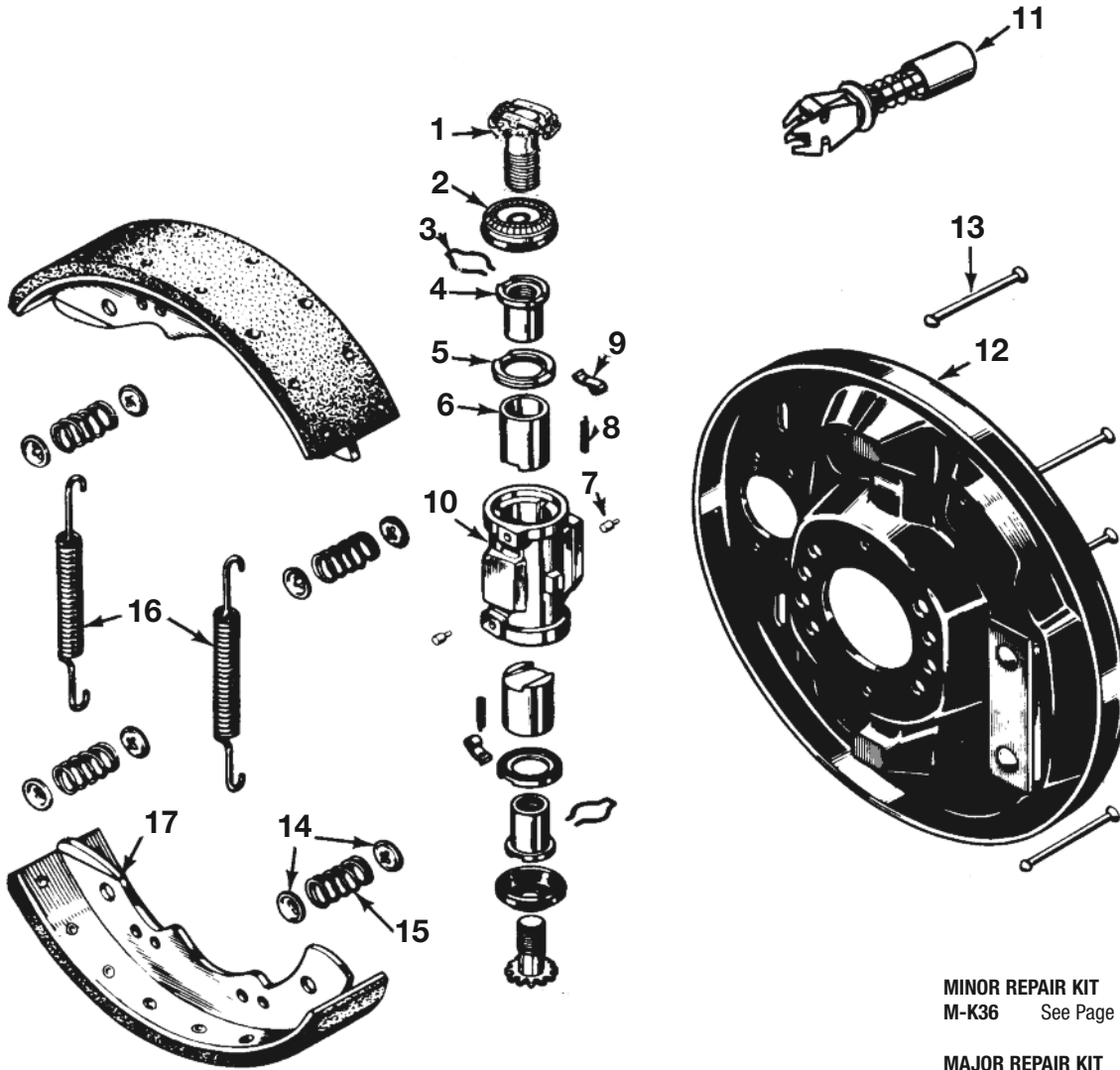
KEY NO.	BWP NO.	BENDIX NO.	DESCRIPTION
1	M-1085	445343	Adj. Screw Assembly
2	M-1026	324330	Boot for Adj. Piston
3	M-1027	316356	Adj. Overload Spring
4	M-1028	316354	Adjusting Nut
5	M-1029	316355	Adj. Nut Cap
6	M-1031	324757	Adjusting Piston
7	M-1086	249441	Adj. Lever Spring
8		249940	Adjusting Lever
9	M-1034 thru M-1037		New Style Wedge Assy
10	M-1038	316331	Adj. Lever Pin
11	BRAKE SPIDER REFERENCE ONLY		

KEY NO.	BWP NO.	BENDIX NO.	DESCRIPTION
12	M-1041	325007	Universal Anchor Piston
13	M-1043	318564	Anchor Piston Boot
14	M-1044	249943	Spring Damper
15	M-830	249942	Shoe Return Spring
16	M-1088	249925	Shoe Stabilizer for Old Style Spiders
17	M-819*	316997	6" Unlined Brake Shoe
17	M-820	316998	7" Unlined Brake Shoe
18	M-2747	445280	Shoe Stabilizer for New Style Spiders

* DISCONTINUED, NO LONGER AVAILABLE

BENDIX TRACTOR WEDGE BRAKE

WEDGE BRAKES



MINOR REPAIR KIT
M-K36 See Page 271

MAJOR REPAIR KIT
M-K38 See Page 270

Bendix Wedge Brake for Tractors – Backing Plate Mounted

KEY NO.	BWP NO.	MERITOR NO.	DESCRIPTION
1	M-1084	445342	Adj. Screw Assembly
2	M-1026	324330	Boot for Adj. Piston
3	M-1027	316356	Adj. Overload Spring
4	M-1028	316354	Adjusting Nut
5	M-1029	316355	Adj. Nut Cap
6	M-1031	324757	Adjusting Piston
7	M-1038	316331	Adj. Lever Pin
8	M-1086	249941	Adj. Lever Spring
9		249940	Adjusting Lever

KEY NO.	BWP NO.	MERITOR NO.	DESCRIPTION
10	REF. ONLY	316448	Actuator
11	M-1034 thru M-1037		New Style Wedge Assembly
12	BENDIX BACKING PLATE REFERENCE ONLY		
13	M-1087	49624	Brake Shoe Hold Down Assembly
14		23969	
15		316368	
16	M-1010	316367	Shoe Return Spring
17	BENDIX BRAKE SHOE REFERENCE ONLY		

Wedge Assemblies – Late Style



BWP NO.	WEDGE ANGLE	REPLACES BENDIX	APPLICATION
M-1034	10°	285783	TRAILER AXLE
M-1035	12°	285784	DRIVE AND TRAILER AXLE
M-1036	14°	285785	DRIVE AXLE
M-1037	18°	285786	STEERING AXLE

Adjusting Screw Assemblies



BWP NO.	REPLACES BENDIX	APPLICATION
M-1085	445343	FOR 15" X 5", 6", & 7" SHOES. 5/16" SLOT WIDTH
M-1084	445342	FOR 15" X 3", & 3-1/2" SHOES. 1/4" SLOT WIDTH

Adjusting Piston



BWP NO.	REPLACES BENDIX	APPLICATION
M-1031	324757	TWIN PLEX AND NON SERVO

Adjusting Piston Boot



BWP NO.	REPLACES BENDIX	APPLICATION
M-1026	324330	TWIN PLEX AND NON SERVO

Anchor Piston Assembly – Universal



BWP NO.	REPLACES BENDIX	APPLICATION
M-1041	325007	UNIVERSAL RH AND LH FOR TWIN PLEX

Anchor Piston Boot



BWP NO.	REPLACES BENDIX	APPLICATION
M-1043	318564	TWIN PLEX AND NON SERVO

WEDGE BRAKE PARTS — BENDIX

Adjusting Nut



BWP NO.	REPLACES BENDIX	APPLICATION
M-1028	316354	TWIN PLEX AND NON SERVO

Cap for Adjusting Nut



BWP NO.	REPLACES BENDIX	APPLICATION
M-1029	316355	TWIN PLEX AND NON SERVO

Adjusting Overload Spring



BWP NO.	REPLACES BENDIX	APPLICATION
M-1027	316356	TWIN PLEX AND NON SERVO

Adjusting Lever and Spring



BWP NO.	REPLACES BENDIX	APPLICATION
M-1086	249940 249941	TWIN PLEX AND NON SERVO

Adjusting Lever Pin



BWP NO.	REPLACES BENDIX	APPLICATION
M-1038	316331	TWIN PLEX AND NON SERVO

Check out the "Specials" tab on our website frequently for current Internet Only special offers

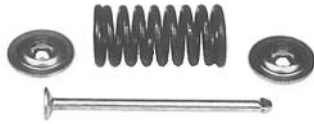


Brake Shoes



BWP NO.	REPLACES BENDIX	SIZE	FMSI
M-820	316998	15 x 7"	4602

Brake Shoe Hold-Down Assembly



BWP NO.	REPLACES BENDIX	APPLICATION
M-1087	23969 49624 316368	FRONT WHEEL BRAKE, BACKING PLATE MOUNTED

Brake Shoe Return Springs and Damper



BWP NO.	REPLACES MERITOR	LENGTH	O.D.	APPLICATION
M-1010	316367	6-9/16"	5/8"	NON SERVO FRONT BRAKES EARLY STYLE



M-830	249942	7-3/4"	1"	TWIN PLEX TRAILER AND DRIVE AXLES
--------------	--------	--------	----	-----------------------------------



M-1044	259943	2"	29/32"	USE WITH M-830 SPRING
---------------	--------	----	--------	-----------------------



M-2734	324095	8"	15/16"	NON SERVO FRONT BRAKES
---------------	--------	----	--------	------------------------



M-2751	445089	9-1/8"	5/8"	NON SERVO FRONT BRAKES LATE STYLE
---------------	--------	--------	------	-----------------------------------

Brake Shoe Stabilizers



BWP NO.	REPLACES MERITOR	LENGTH	O.D.	APPLICATION
M-1088	249925	— —	— —	EARLY STYLE SPIDER MOUNTED BRAKE



M-2747	445280	7-1/2"	1/8"	LATE MODEL SPIDER MOUNTED BRAKE
---------------	--------	--------	------	---------------------------------

WEDGE BRAKE — MAJOR REPAIR KITS — BENDIX

Major Repair Kit for Twinplex Wedge Brake Universal – for both Right and Left Spider Mount



BWP KIT M-K37

CONSISTS OF:

- 2 **M-1085** Adj. Screw Assembly
- 2 **M-1026** Adj. Piston Boot
- 2 **M-1027** Overload Spring
- 2 **M-1028** Adj. Nut
- 2 **M-1029** Adj. Nut Cap
- 2 **M-1031** Adj. Piston
- 2 **M-1086** Adj. Lever and Spring
- 2 **M-1038** Adj. Lever Pin
- 2 **M-1041** Universal Anchor Piston
- 2 **M-1043** Anchor Piston Boot
- 2 **M-830** Shoe Return Spring
- 2 **M-1044** Spring Damper
- 1 **M-899** Wedge Brake Lubricant

MATERIAL FOR ONE WHEEL

WEDGE BRAKES

Major Repair Kit for Non-Servo Wedge Brake Backing Plate Mounted



BWP KIT M-K38

CONSISTS OF:

- 2 **M-1084** Adj. Screw Assembly
- 2 **M-1026** Adj. Piston Boot
- 2 **M-1027** Overload Spring
- 2 **M-1028** Adj. Nut
- 2 **M-1029** Adj. Nut Cap
- 2 **M-1031** Adj. Piston
- 2 **M-1038** Adj. Lever Pin
- 2 **M-1086** Adj. Lever and Spring
- 2 **M-1010** Shoe Return Spring
- 4 **M-1087** Shoe Hold Down Assembly
- 1 **M-899** Wedge Brake Lubricant

MATERIAL FOR ONE WHEEL

Minor Repair Kit – Bendix Twinplex Trailer and Drive Axle Spider Mounted



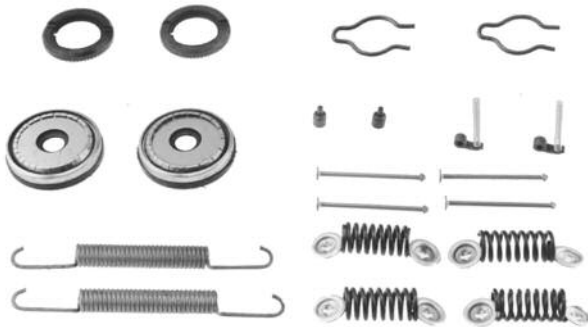
BWP KIT M-K35

CONSISTS OF:

2	M-1026	Boot Assembly
2	M-1027	Overload Spring
2	M-1029	Adj. Nut Cap
2	M-1038	Adj. Lever Pin
2	M-1086	Adj. Lever and Spring
2	M-1043	Anchor Piston Boot
2	M-830	Shoe Return Spring
2	M-1044	Spring Damper
1	M-899	Wedge Brake Lubricant

MATERIAL FOR ONE WHEEL

Minor Repair Kit – Bendix Non Servo Front Brake Backing Plate Mounted



BWP KIT M-K36

CONSISTS OF:

2	M-1026	Boot Assembly
2	M-1027	Overload Spring
2	M-1029	Adj. Nut Cap
2	M-1038	Adj. Lever Pin
2	M-1086	Adj. Lever and Spring
2	M-1010	Shoe Return Spring
4	M-1087	Shoe Hold Down Assembly
1	M-899	Wedge Brake Lubricant

MATERIAL FOR ONE WHEEL

Minor Repair Kit – Bendix Non Servo Front Brake Spider Mounted



BWP KIT M-K70

CONSISTS OF:

2	M-1026	Boot Assembly
2	M-1027	Overload Spring
2	M-1028	Adj. Nut
2	M-1029	Adj. Nut Cap
2	M-1031	Adj. Piston
2	M-1038	Adj. Lever Pin
2	M-1086	Adj. Lever and Spring
2	M-1085	Adj. Screw
2	M-2747	Shoe Stabilizer
2	M-2734	Shoe Return Spring
1	M-899	Wedge Brake Lubricant

MATERIAL FOR ONE WHEEL